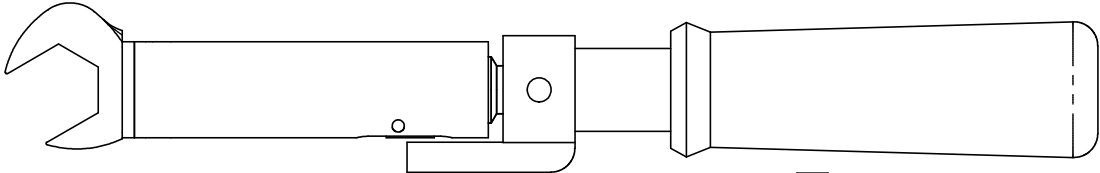
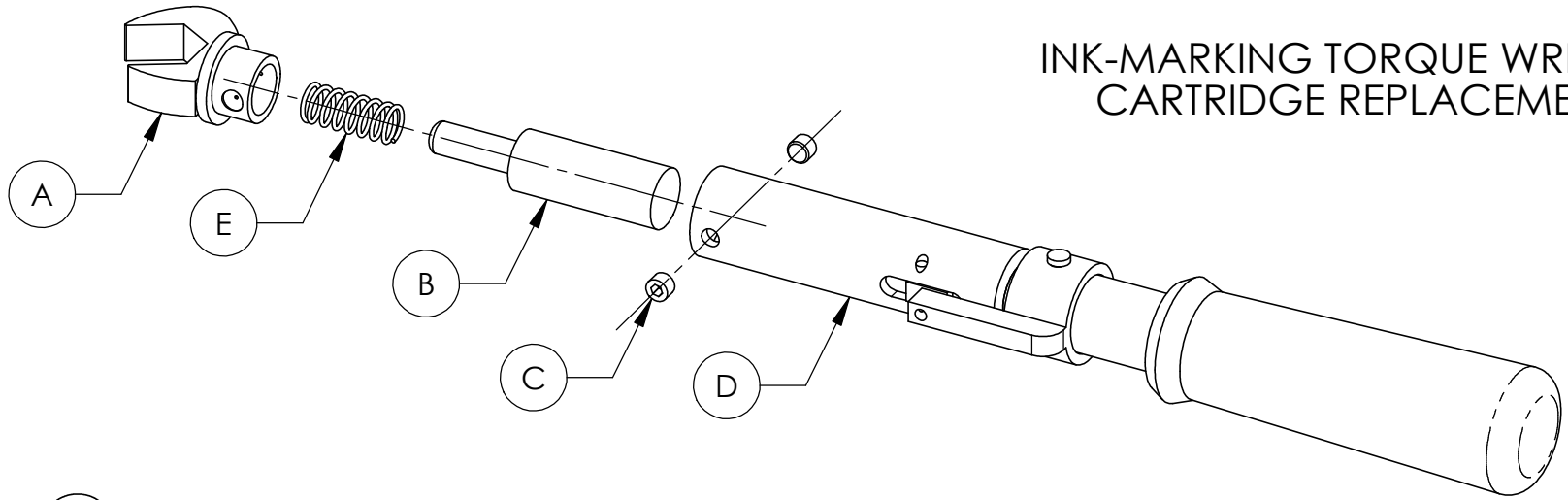
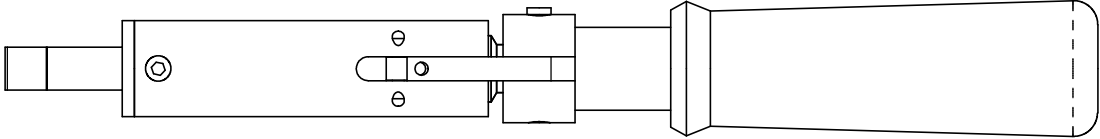
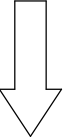


# INK-MARKING TORQUE WRENCH CARTRIDGE REPLACEMENT




Wrench must be pulled in this direction



1. Remove (and save) Allen Screws (C)
2. Remove Drive End (A)
3. Remove Cartridge (B) and Spring (E)
4. Dispose Cartridge and save Spring
5. Remove Cap from new Cartridge
6. Slide Spring onto new Cartridge
7. Slide Cartridge into Housing (D)
8. Slide Drive End into Housing facing same direction as shown
9. Install Allen Screws (C) without over-tightening

PG. 1 OF 1

 <b>Van F. Belknap</b> Company, Inc.		Division:
		<b>Hank Thorn</b> Company, Inc.
29164 Wall Street / Wixom, Michigan 48393 / Phone: (248)348-7800 / Fax: (248)348-9821		
SCALE: 1:2	UNLESS OTHERWISE SPECIFIED: 1. ALL DIMENSIONS ARE ±.005 2. BREAK ALL SHARP EDGES	DRAWN BY: R.NORTH
DATE: 8/1/2008		APPROVED BY:
INK CARTRIDGE REPLACEMENT		DRAWING NUMBER: