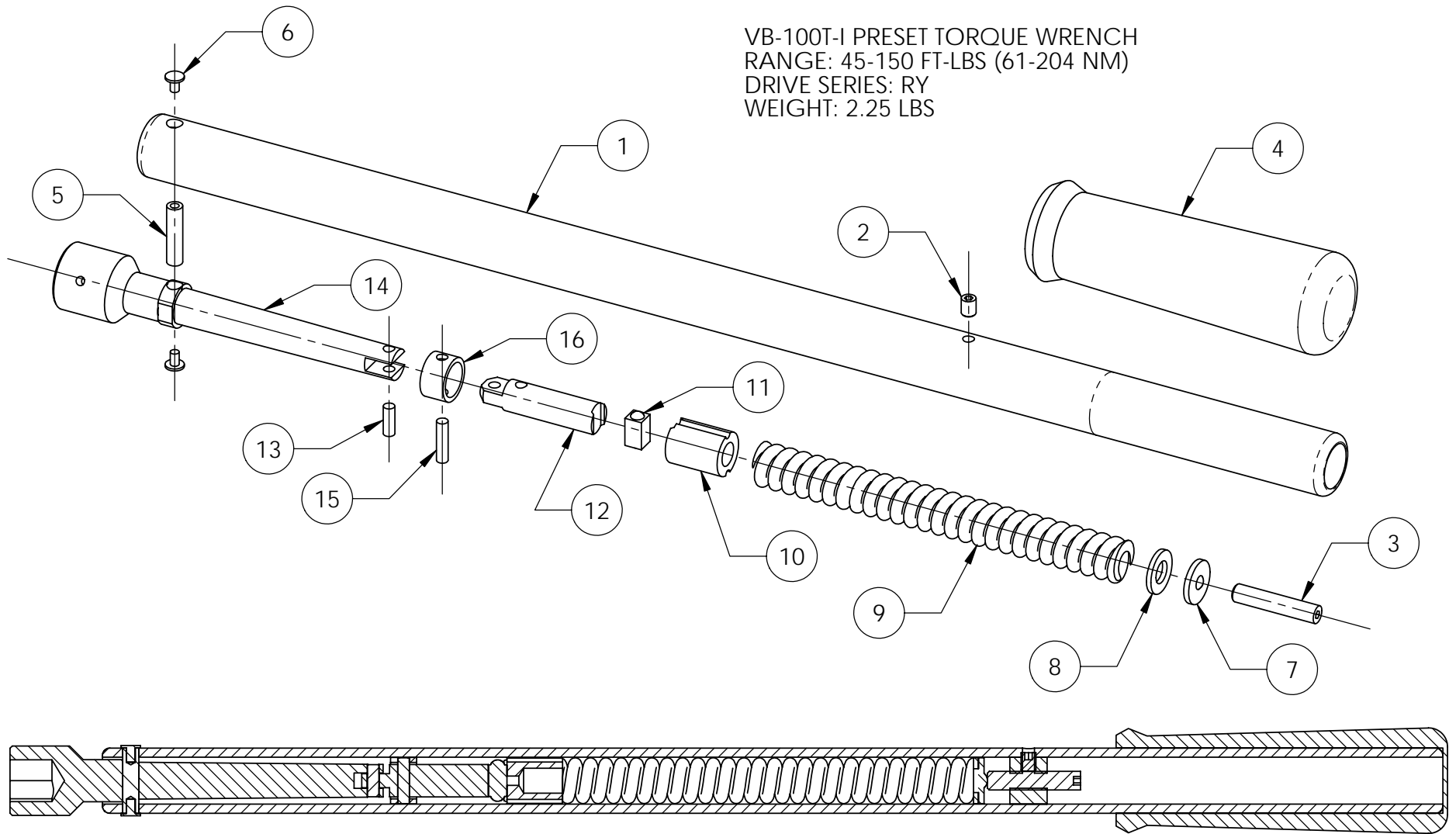


VB-100T-I PRESET TORQUE WRENCH
 RANGE: 45-150 FT-LBS (61-204 NM)
 DRIVE SERIES: RY
 WEIGHT: 2.25 LBS



SEE PAGE 2 FOR PART NUMBERS
 AND DESCRIPTIONS

ADJUSTMENT TOOL PART #: AT-3

PG. 1 OF 2



Van F. Belknap

Division: **Hank Thorn** Company, Inc.

29164 Wall Street / Wixom, Michigan 48393 / Phone: (248)348-7800 / Fax: (248)348-9821

SCALE: 1:2
 DATE: 10/20/2005

UNLESS OTHERWISE SPECIFIED:
 1. ALL DIMENSIONS ARE $\pm .005$
 2. BREAK ALL SHARP EDGES

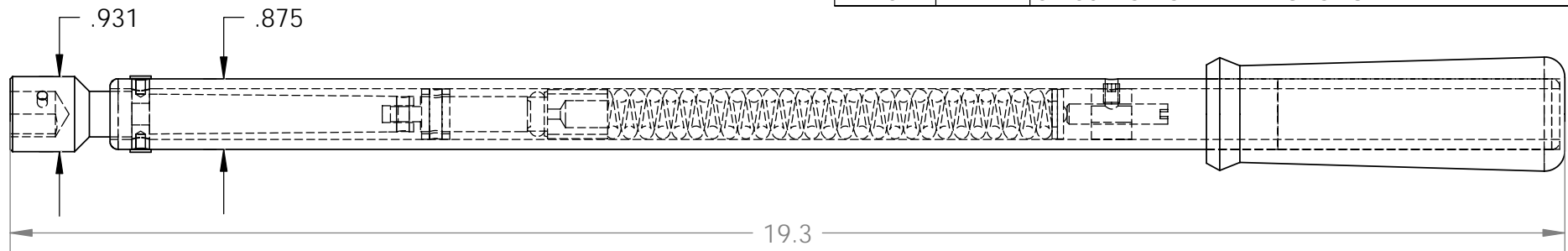
DRAWN BY: R.NORTH

APPROVED BY:
 DRAWING NUMBER:

VB-100T-I PRESET TORQUE WRENCH

VB-100T-I

| ITEM | QTY | DESCRIPTION |
|------|-----|--------------------------------|
| 1 | 1 | 30-500-47 - TUBE ASSEMBLY |
| 2 | 1 | 10-101-34 - LOCKING SET SCREW |
| 3 | 1 | 10-101-9 - ADJUSTING SET SCREW |
| 4 | 1 | 30-277-5 - HAND GRIP |
| 5 | 1 | 45-91 - PIVOT PIN |
| 6 | 2 | 45-92 - PIVOT PIN RIVET |
| 7 | 1 | 30-8 - THRUST WASHER |
| 8 | 1 | 10-104-1 - FLAT WASHER |
| 9 | 1 | 95-246 - TORQUE SPRING |
| 10 | 1 | 45-251 - CAM |
| 11 | 1 | 45-253-1 - PAWL |
| 12 | 1 | 61-62 - SECONDARY CLICK ARM |
| 13 | 1 | 45-250 - ROLLER PIN |
| 14 | 1 | 30-38 - PRIMARY CLICK ARM |
| 15 | 1 | 10-102-24 - PIN |
| 16 | 1 | 61-60 - CLICK ARM FULCRUM |



VB-100T-I PRESET TORQUE WRENCH
 RANGE: 45-150 FT-LBS (61-204 NM)
 DRIVE SERIES: RY
 WEIGHT: 2.25 LBS

PG. 2 OF 2

| | | |
|--|---|---|
|  Van F. Belknap Company, Inc. | | Division: Hank Thorn Company, Inc. |
| | | 29164 Wall Street / Wixom, Michigan 48393 / Phone: (248)348-7800 / Fax: (248)348-9821 |
| SCALE: 1:2 | UNLESS OTHERWISE SPECIFIED: 1. ALL DIMENSIONS ARE $\pm .005$ 2. BREAK ALL SHARP EDGES | |
| DATE: 10/20/2005 | DRAWN BY: R.NORTH | |
| VB-100T-I PRESET TORQUE WRENCH | | APPROVED BY: DRAWING NUMBER: VB-100T-I |