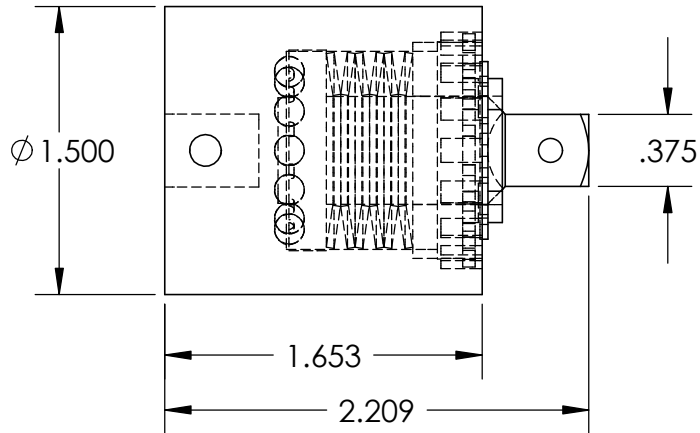
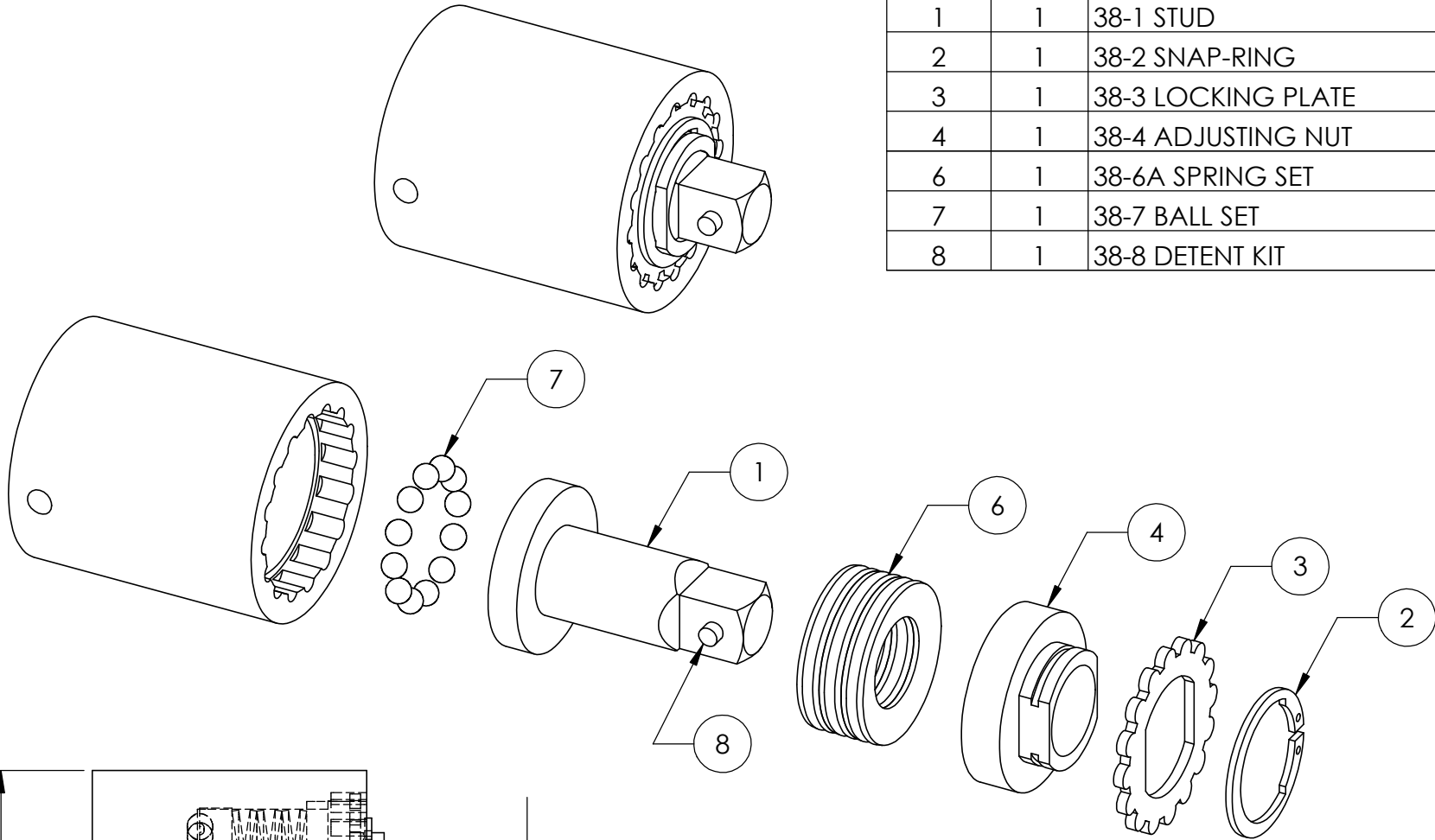
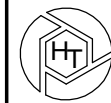


ITEM	QTY	DESCRIPTION
1	1	38-1 STUD
2	1	38-2 SNAP-RING
3	1	38-3 LOCKING PLATE
4	1	38-4 ADJUSTING NUT
6	1	38-6A SPRING SET
7	1	38-7 BALL SET
8	1	38-8 DETENT KIT



PG. 1 OF 1



Van F. Belknap

Division: **Hank Thorn** Company, Inc.
 29164 Wall Street / Wixom, Michigan 48393 / Phone: (248)348-7800 / Fax: (248)348-9821

SCALE: 1:1

UNLESS OTHERWISE SPECIFIED:

DRAWN BY: R.NORTH

DATE: 7/31/2008

1. ALL DIMENSIONS ARE ±.005
2. BREAK ALL SHARP EDGES

APPROVED BY:

SLIP TORQUE 38A-1 PARTS LIST

DRAWING NUMBER:
38A-1